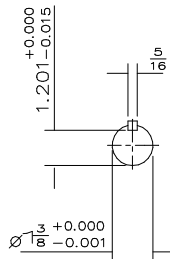
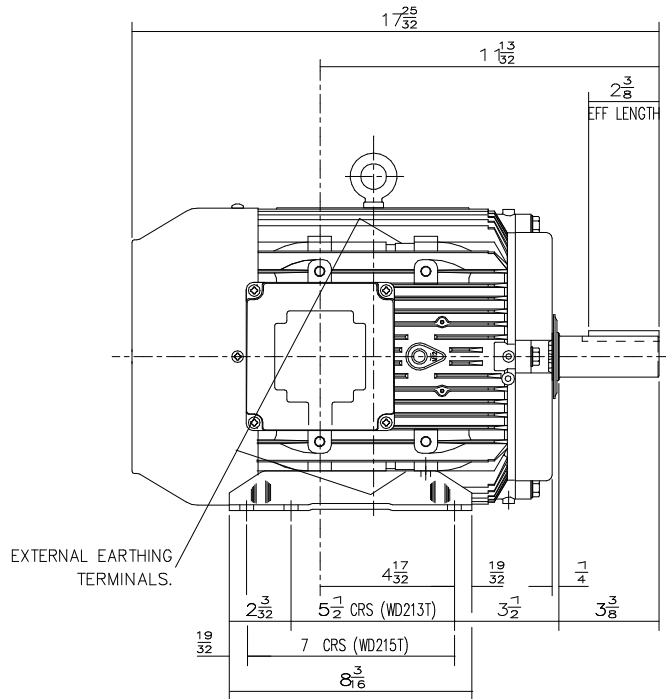
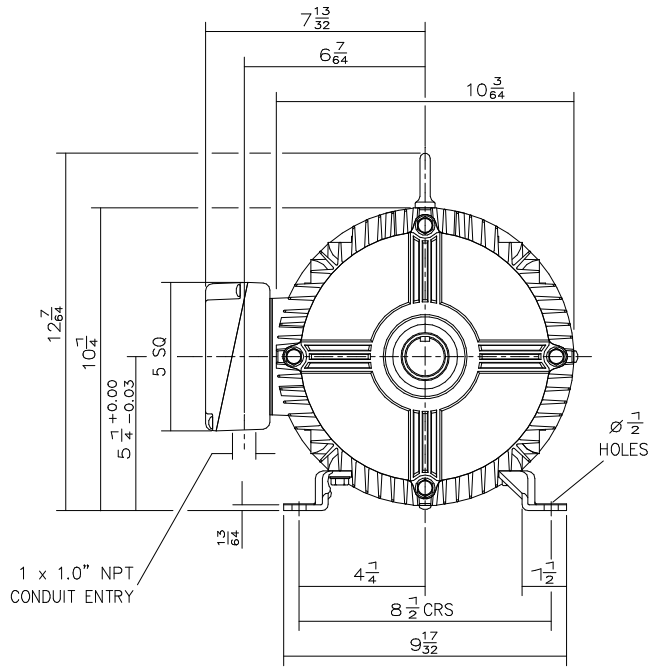


DRG. No. W33GF000/1
 DRG. REF.



TERMINAL BOX POSITION: - CAN BE ARRANGED EITHER AT 9,12 OR 3 O'CLOCK BY MOVING
 STANDARD TERMINAL BOX POSITION IS 9 O'CLOCK AS SHOWN.
 CONDUIT ENTRIES: - TERMINAL BOX CAN BE ROTATED AT 90° INTERVALS
 (CONDUIT POSITION SHOWN FOR ILLUSTRATION ONLY).

CUSTOMER		
ORDER No.		
PART No.		
OUR ORDER No.		
FRAME SIZE		
KW.	RPM.	
Hz	PHASE	
VOLTS	POLES	
BRGS.	DE.	NDE.
MOTOR NETT WT.		Kg.
SPECIAL REMARKS		

ALL DIMENSIONS IN INCHES.



BROOK CROMPTON

Huddersfield, HD1 3LJ
 ENGLAND

SHEET TITLE
 SIZE A3 OUTLINE DIMENSION DRAWING W ALUMINIUM TOTALLY ENCLOSED FAN COOLED
 213/5T FRAME FOOT MOUNTED MOTOR.

	NAME	DATE
DRAWN	MI	29-08-95
CHECKED	JWD	29-08-95
SCALE	1 : 4	

DRG. No.	W33GF000/1		
DRG. REF.			
REVISION:	DH	DATE	7-07-95